



LPP-M METERING PUMPS

FEATURES

Only the hose is in contact with the medium	Durable housing of powder coated aluminium
Self-priming, no backward flow	Patented tube leak detector system
Reversible rotation	Remote start/stop feature
Accurate metering throughout the whole adjustment range	Automatic identification of motor voltage
Exact flow per revolution irrespective of the pipeline pressure	Available with flow verification sensor
95% of full vacuum	Digital touchpad adjustment – precise and reliable
No valves – no clogging	Display: VGA backlit LCD, UV resistant
Dry run capability	Display languages: Eng, Ger, Spa, Fra
Variable speed motor	Security: Programmable 4-digit password

TECHNICAL DATA

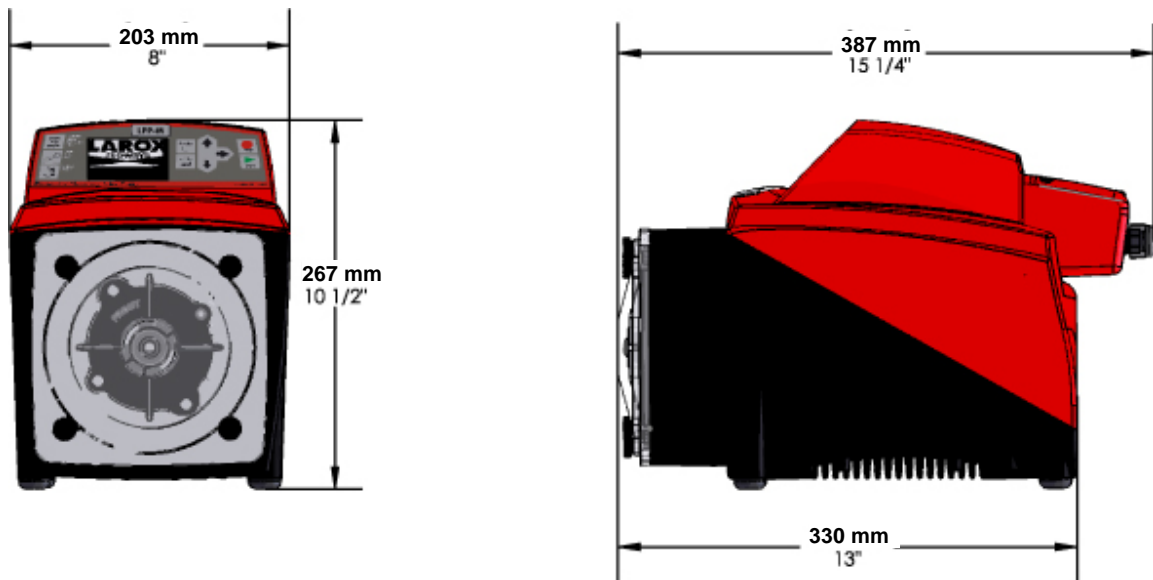
Weight / Shipping weight	12,4 kg / 13,5 kg
Maximum flow	126 l/h
Maximum working pressure	8,6 bar
Maximum suction lift	9 m water, 0,1 bar (Abs)
Maximum viscosity	5000 centipoise
Remote adjustment	4-20mA, 0-10 VDC, or pulse
Feedbacks	4-20mA, pulse, 4 alarm contacts
Voltage (max amp)	Automatic identification: 96-264VAC 50/60Hz (2 amp)
Output adjustment range	1-100% in 0,1% increments
Accuracy	+/- 0,5%
Repeatability	+/- 0,5%
Maximum fluid temperature	54°C
Maximum ambient temperature	-10°C – 46°C
Enclosure	IP66
Plug type	250V AC, CEE 7/VII (Europe)

MATERIALS OF CONSTRUCTION

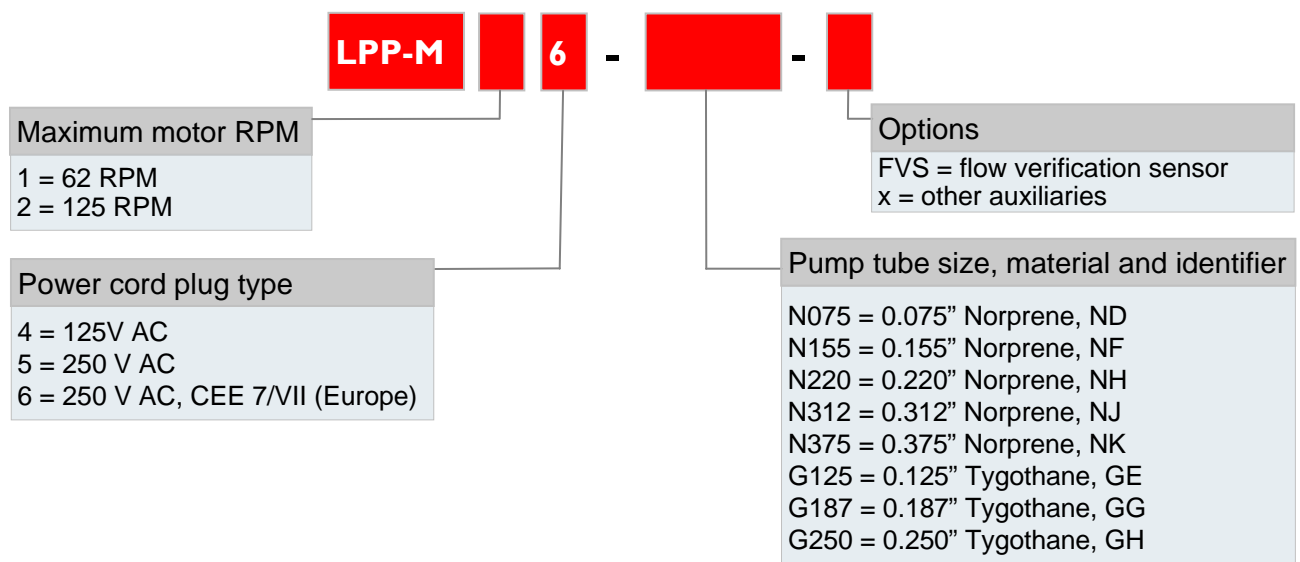
Primary pump wetted components:	
Pump tube elements:	Norprene® (for chemicals) or Tygothane® (for oils and fats) Adapter fittings: PVDF
Accessories wetted components:	
Suction tubing	Clear PVC
Suction strainer	Natural polypropylene
Discharge tubing	Natural polyethylene (LLDPE)
Injection fitting w/Check valve	Body & insert: PVDF
Non-wetted components:	
Pump head	Thermoplastic
Enclosure	Powder coated aluminium
Pump head cover	Clear acrylic, annealed
Cover screws	300 SS, polypropylene caps
Roller assembly	Rotor: Valox® (PBT) Rollers: Nylon Roller bearings: enclosed stainless steel ball bearing
Motor shaft	Chrome plated steel
Leak detector pins	Hastelloy C-276



Dimensions:



Model number matrix:



Maximum flow rate and pressure capacities:

Tube number	Tubing material	Bar	62 RPM MODELS	125 RPM MODELS
			Litres per hour	Litres per hour
N075	Norprene	8,6	3,9	7,8
N155	Norprene	8,6	15,0	30,0
N220	Norprene	8,6	34,2	66,0
N312	Norprene	8,6	48,0	96,0
N375	Norprene	8,6	63,0	126,0
G125	Tygothane	4,5	9,0	17,4
G187	Tygothane	4,5	18,9	38,4
G250	Tygothane	4,5	45,6	94,2